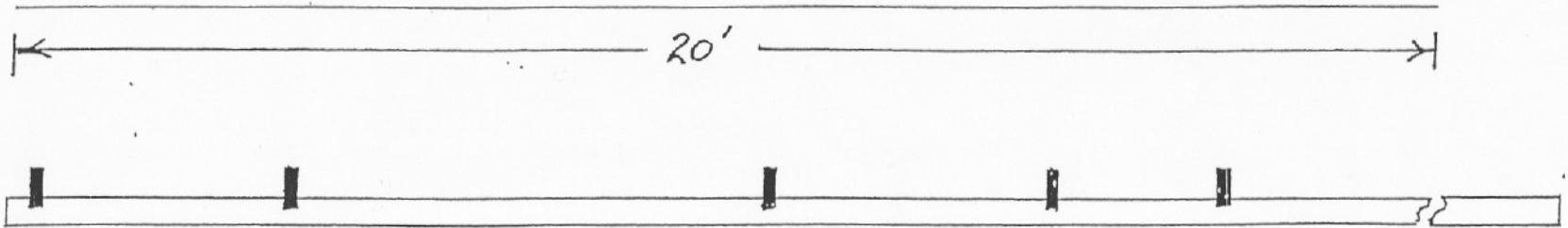


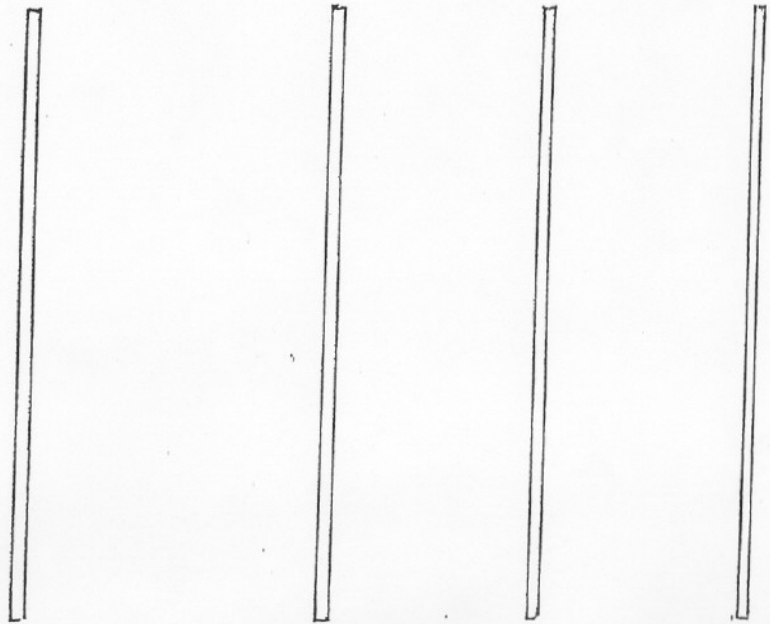
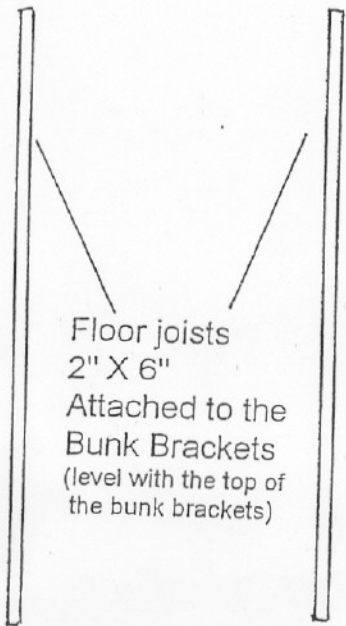
Three point air rifle range.

Built on the Tracker P18, pontoon trailer frame.

Platform 8 ft wide by 20 ft long - constructed of 3/4" or 5/8" plywood.



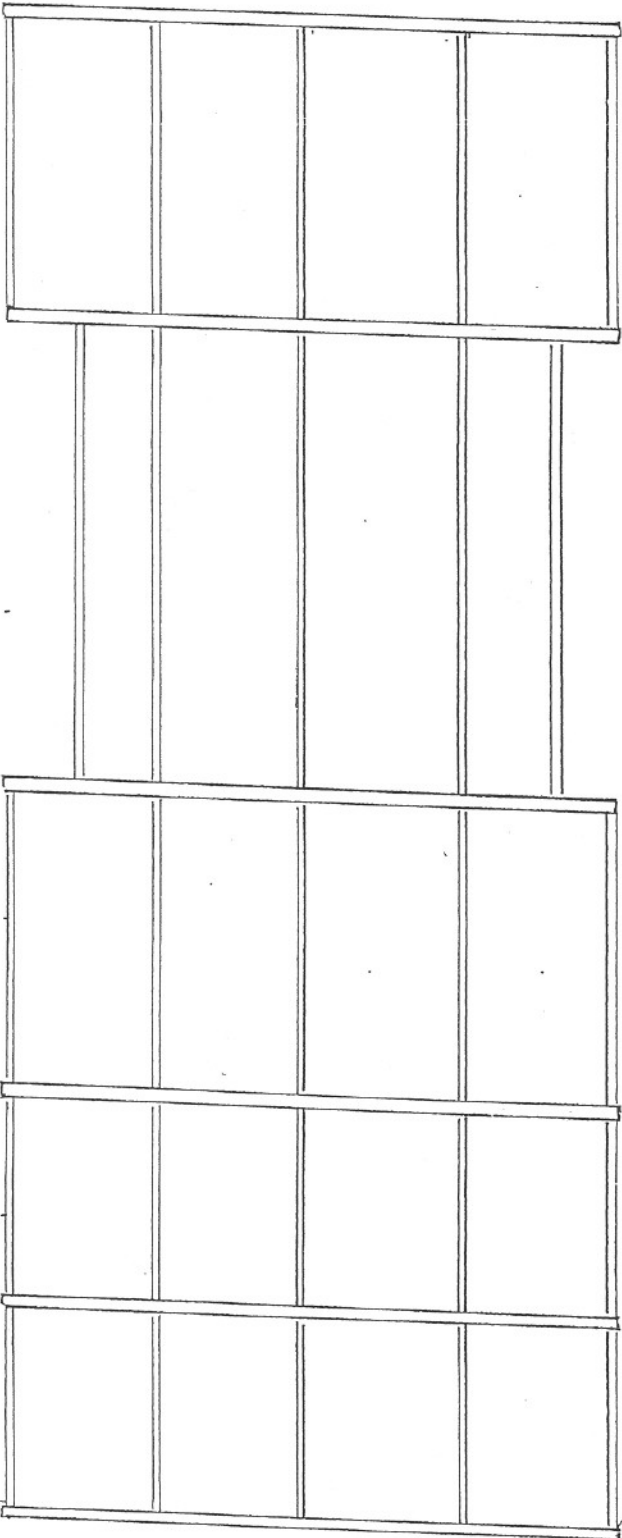
It might be necessary to install additional bunk brackets and joist approximately two feet behind the yoke.



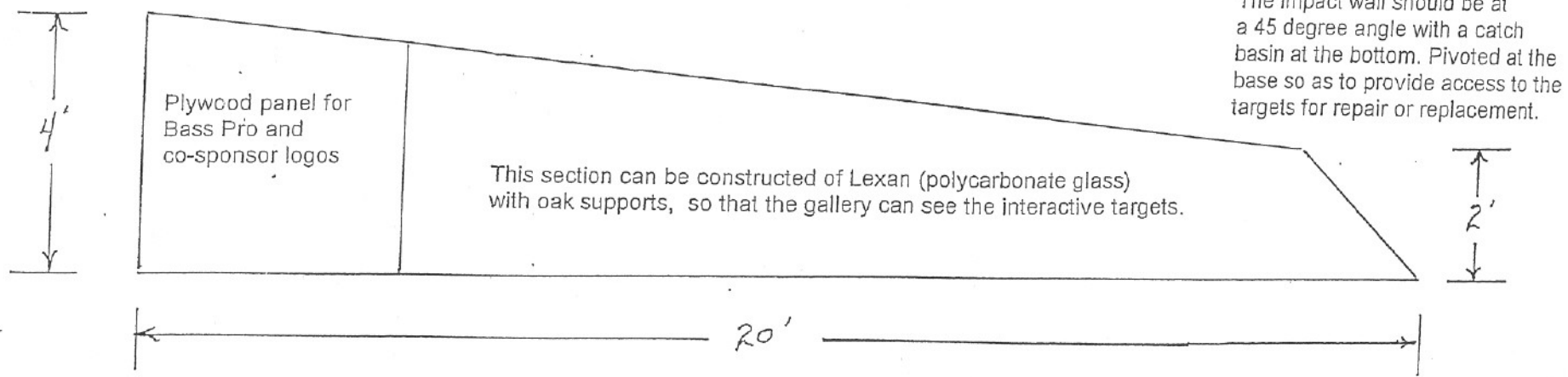
20'



Install 2" x 4" floor joists laterally between the 2" x 6" joists to provide enough support for a person, which will be necessary periodically to clean the interior of the range.



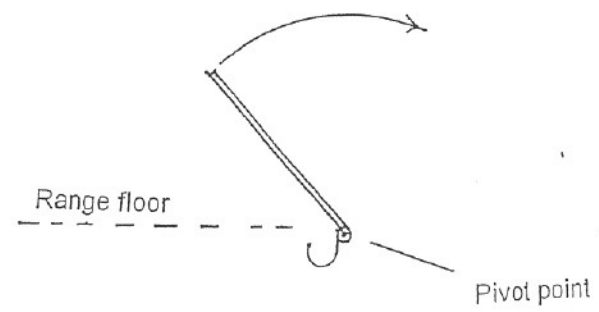
The side walls and roof must withstand hi winds in transportation. Suggest 1/2" plywood with oak ribs. The only function the walls and roof provide is a safety partition.



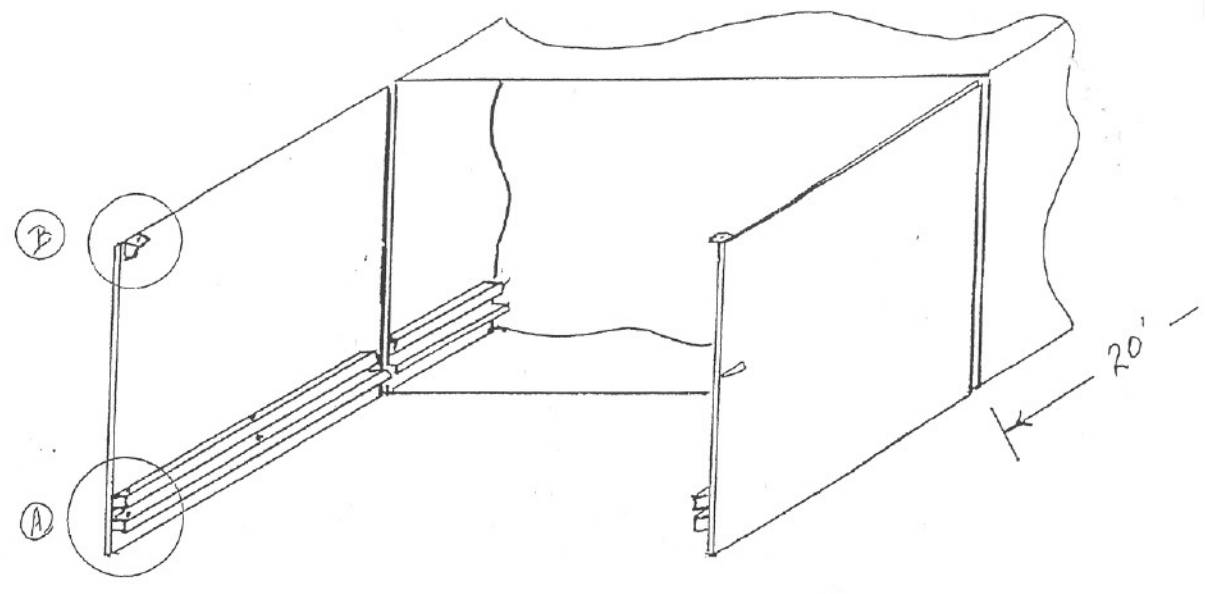
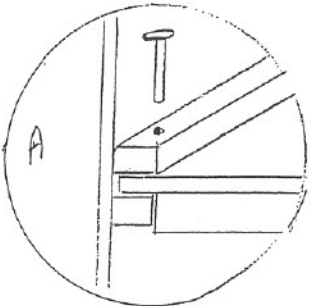
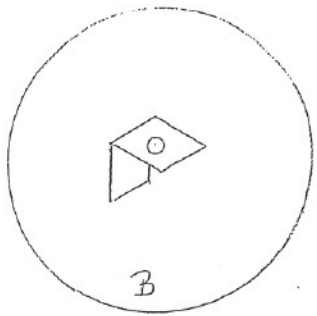
Suggest installing a canopy the width of the range and extending four feet behind the firing line to provide shade and shelter for the staff and participants.

Shooters will be seated at a standard 8 foot table or the table can be constructed as part of the range.

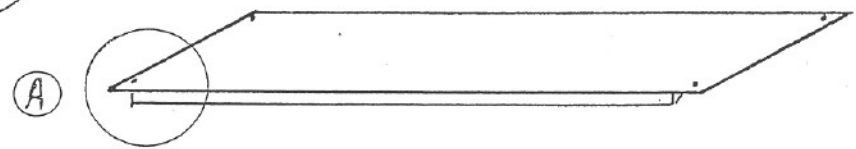
The impact wall should be constructed of 18 gage sheet metal, laminated to 1/2" plywood with adhesive.



(B) "L" bracket - Insert 1/4" bar to hold doors parallel. Prevent table from falling out of channel. Also provides frame to secure awning.

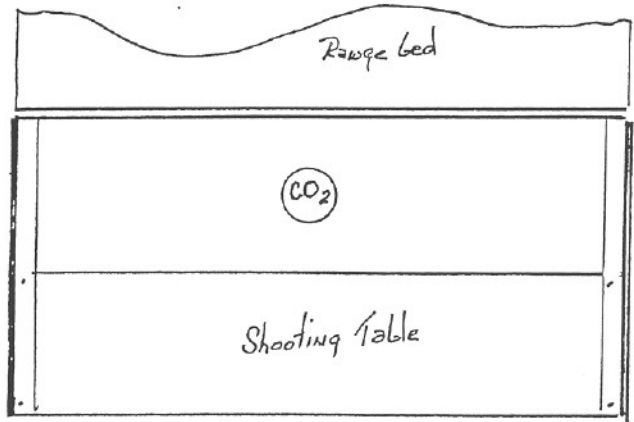


End View (w/doors open)



(A) Table and doors fabricated with 3/4" plywood. Table (2' x 8') slides into channel formed with 1 1/2" baluster and locked into place with four hinge pins (4"), one in each corner of the table. (Note: when table is in place there will be a 2' space between the range deck and the table. Good location for 20lb bulk tank of CO<sub>2</sub>.)

Rear View (doors)



Top View

